

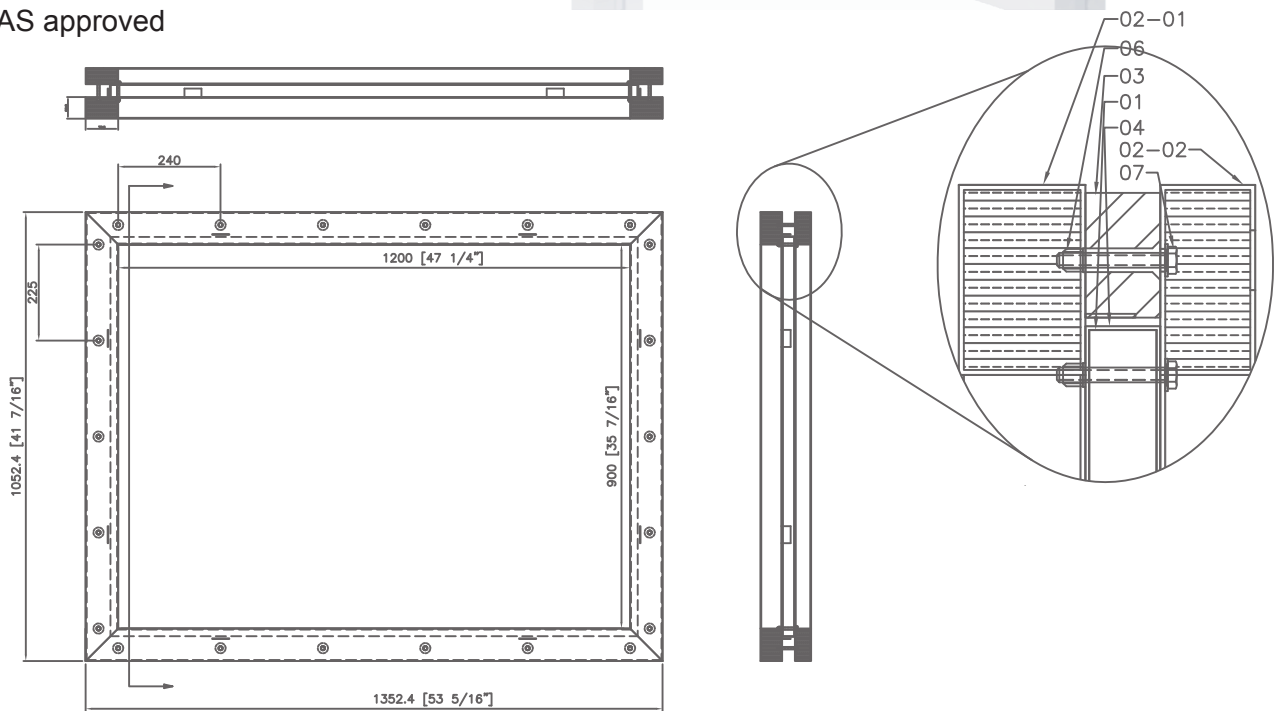
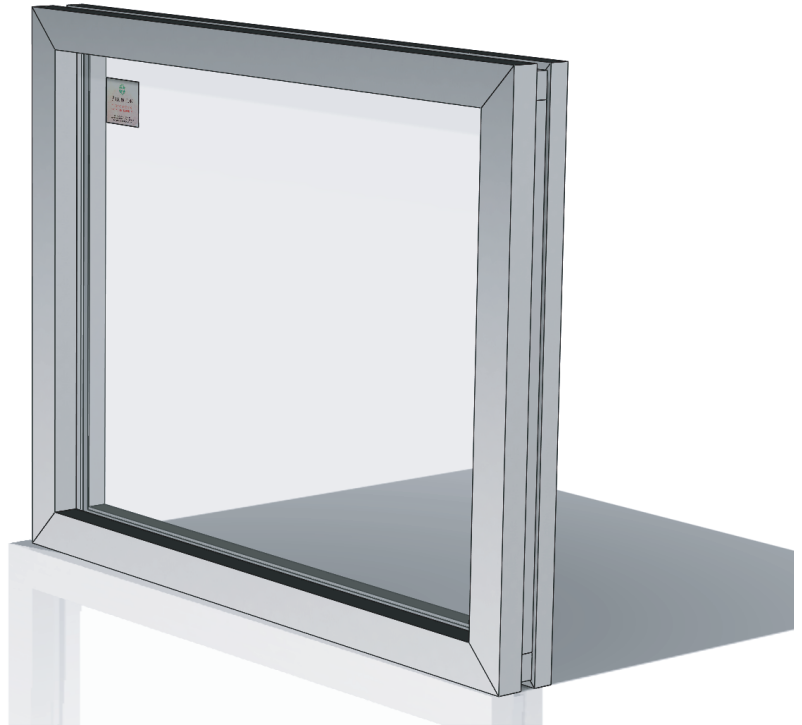
# SHIP INTERIOR SYSTEMS

DESIGN - ENGINEERING - SUPPLY

## A-60 WINDOW

27 mm A60 SOLAS rated glass  
box section frame is manufactured into two  
sections of compatible 1.5 mm mild steel,  
76 x 50 x 2 mm base section and  
76 x 38 x 2 mm clamping section, with  
128 kg density insulation filled frame  
and 770 kg density monolux 800 board  
fitted between frames and around glass.  
Fibrefax protection tape covers the edges  
of the glass panel. Options include:

- Made in America
- Mild or stainless steel
- Finish or prime painted frame
- Cover frame
- Blind fitted over window
- 1200mm x 900 mm max clear vision
- USCG #164.137/20/0
- SOLAS approved



541-436-4440

www.shipinteriorsystems.com  
Hood River, OR 97031 USA